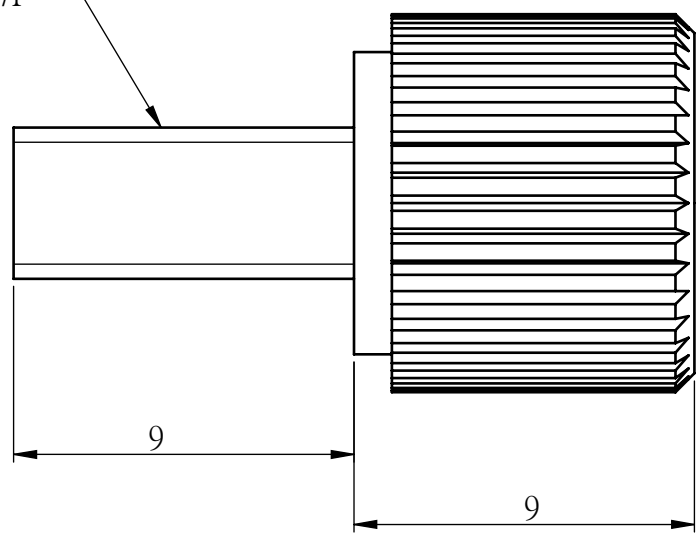
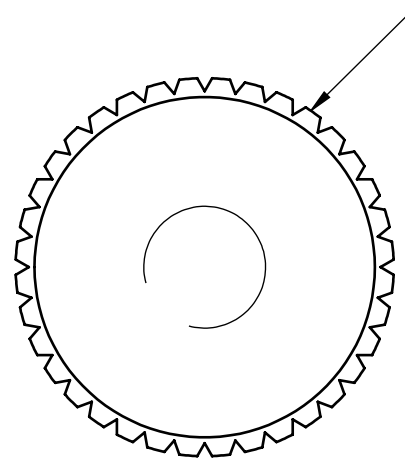


M4x0.7P



∅10



HS4-9